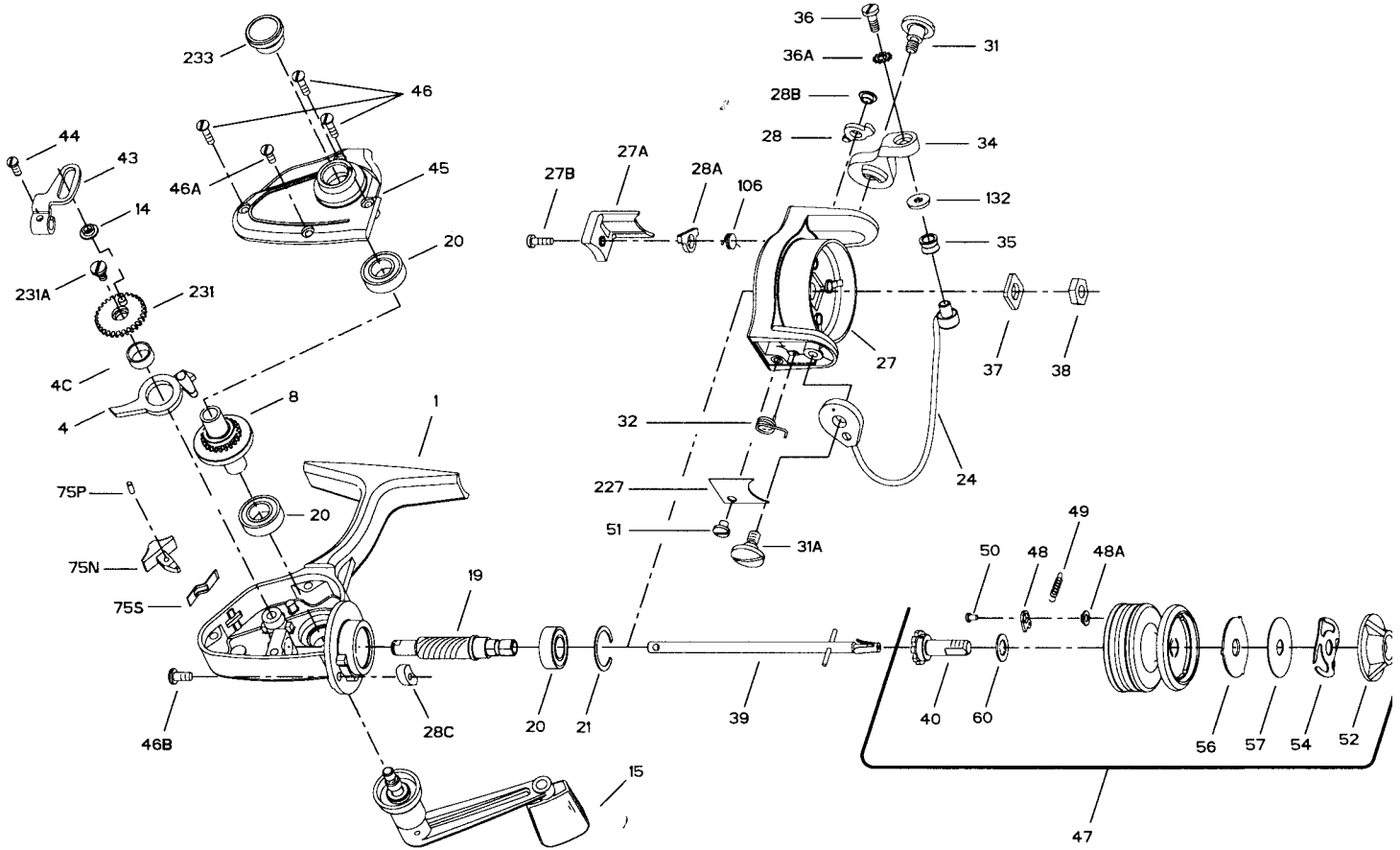




PARTS AND PRICE LIST FOR MODEL 4300SS



~~39N~~ ~~SPOOL COMPLETE~~

Key No.	Part No.	Description	Price	Key No.	Part No.	Description	Price
1	1-4300	Housing	\$12.80	40	40-716	Spool Sleeve Complete	\$2.70
4	4-4300	Dog	1.50	43	43-4300	Crosswind Arm	1.50
4C	4C-4300	Dog Sleeve	.50	44	44-716	Crosswind Arm Screw	.40
8	8-4300	Main Gear Assembly	9.50	45	45-4300	Housing Cover	2.95
14	14-4300	Crosswind Roller	.45	46	46-4300	Housing Cover Screw (3 req.)	.50
15	15-4300	Handle (Complete)	8.50	46A	46A-4300	Housing Cover Screw Small	.45
19	19-4300	Pinion	10.60	46B	46A-704	Trip Cam Screw	.45
20	20-722	Ball Bearing (3 req.)	12.95	47	47-4300	Spool (Complete)	16.25
21	21-722	Bearing Lock Ring	.50	48	48N-4300	Click Tongue	.45
21C	21C-310	Anti-Reverse Button Pin	.90	48A	48A-4300	Click Tongue Washer	.45
24	24-4300	Bail Wire Assembly	7.15	49	49-4300	Click Spring	.45
27	27-4300	Rotor Cup	6.25	50	63A-2.5FR	Click Spring Screw	.40
27A	27A-4300	Bail Trip Cover	1.10	51	50-712	Bail Spring Cover Screw	.50
27B	27B-420	Bail Trip Cover Screw	.50	52	52-714Z	Drag Knob	2.35
28	28-420	Trip Lever	1.70	54	54-716	Drag Spring	1.95
28A	28A-440	Cam Lever	1.10	56	56-440	Drag Washer-HT100	1.10
28B	28B-440	Trip Lever Bushing	.70	57	57-716	Drag Washer Metal	.60
28C	28C-420	Trip Cam	1.10	60	60-716	Spool Sleeve Washer	.45
31	31-420	Bail Arm Screw	1.00	75N	75N-4300	Anti-Reverse Button	.70
31A	31A-420	Bail Cam Screw	1.10	75P	75P-4300	Button Spring Pin	.35
32	32-420	Bail Spring	.90	75S	75S-4300	Anti-Reverse Button Spring	.70
34	34-420	Bail Arm	2.25	106	106-5500	Cam Lever Spring	.50
35	35-420	Line Roller	3.10	132	132-420	Roller Washer	.80
36	36-420	Bail Stud Screw	.45	227	227-4300	Bail Spring Cover	.45
36A	36A-750	Lock Washer	.45	231	231-4300	Crosswind Gear	3.10
37	37-420	Rotor Cup Washer	.45	231A	231A-4300	Crosswind Gear Screw	.50
38	38-720	Rotor Cup Nut	.50	233	233-4300	Bearing Cover	2.25
39	39-4300	Spool Shaft Complete	3.40				